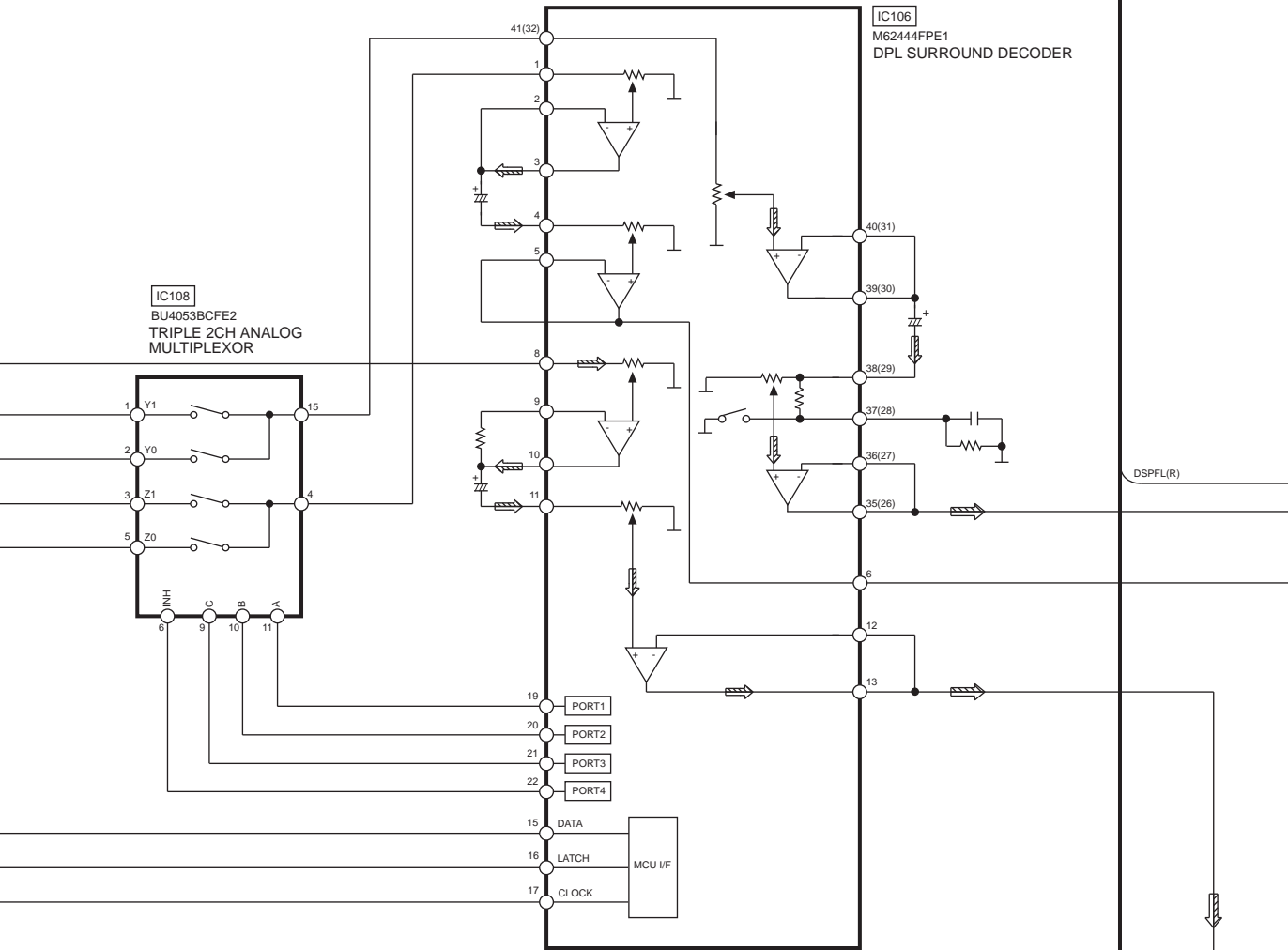
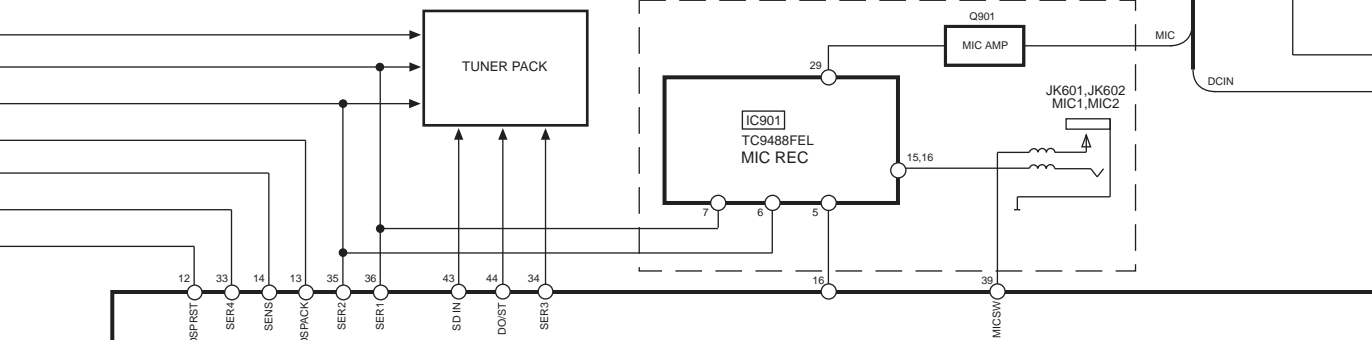


**IC108**  
BU4053BCFE2  
TRIPLE 2CH ANALOG  
MULTIPLEXOR

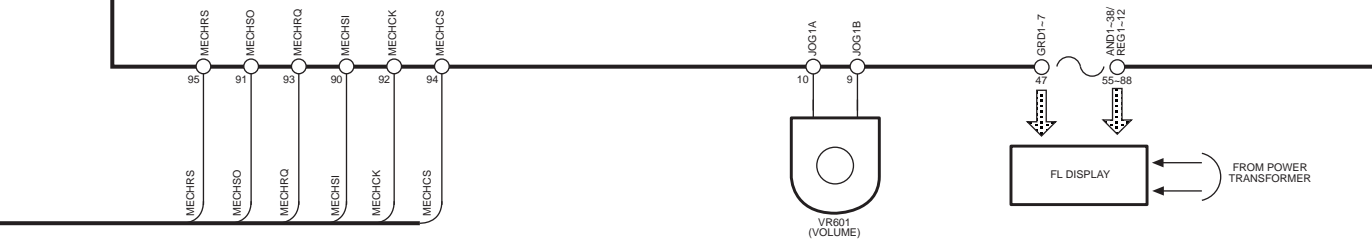
**IC106**  
M62444FPE1  
DPL SURROUND DECODER

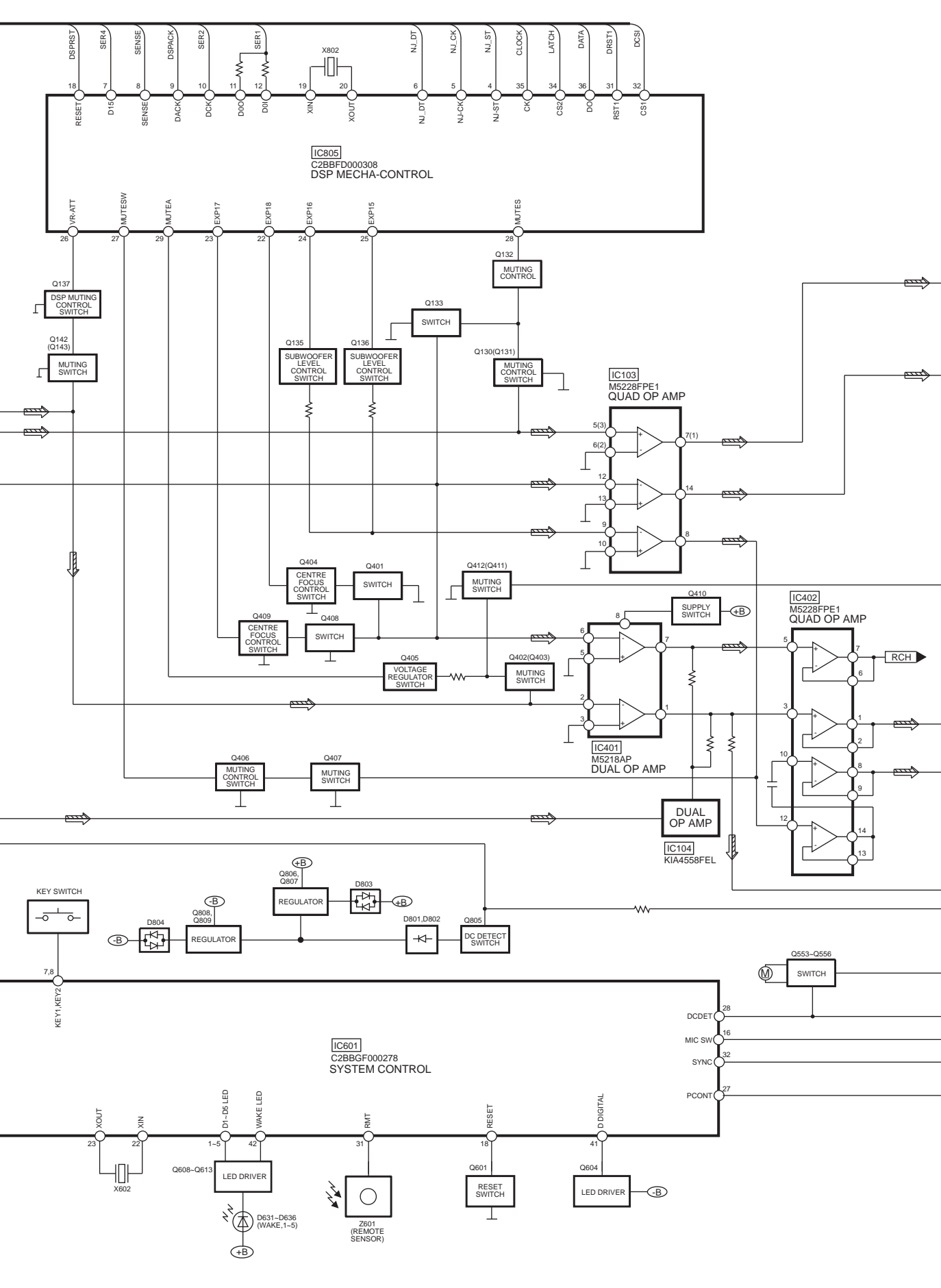


FOR GCS/GC/GK/GT ONLY



**IC601**  
C2BBGF000278  
SYSTEM CONTROL





**IC805**  
C2BBFD000308  
DSP MECHA-CONTROL

**IC103**  
M5228FPE1  
QUAD OP AMP

**IC402**  
M5228FPE1  
QUAD OP AMP

**IC401**  
M5218AP  
DUAL OP AMP

**IC104**  
KIA4558FEL  
DUAL OP AMP

**IC601**  
C2BBGF000278  
SYSTEM CONTROL

**LED DRIVER**

**LED DRIVER**

2601  
(REMOTE SENSOR)

**RESET SWITCH**

**SWITCH**

**DSP MUTING CONTROL SWITCH**

**MUTING SWITCH**

**SUBWOOFER LEVEL CONTROL SWITCH**

**SUBWOOFER LEVEL CONTROL SWITCH**

**MUTING CONTROL SWITCH**

**CENTRE FOCUS CONTROL SWITCH**

**CENTRE FOCUS CONTROL SWITCH**

**MUTING SWITCH**

**SUPPLY SWITCH**

**MUTING SWITCH**

**MUTING CONTROL SWITCH**

**MUTING SWITCH**

**KEY SWITCH**

**REGULATOR**

**REGULATOR**

**DC DETECT SWITCH**

**LED DRIVER**

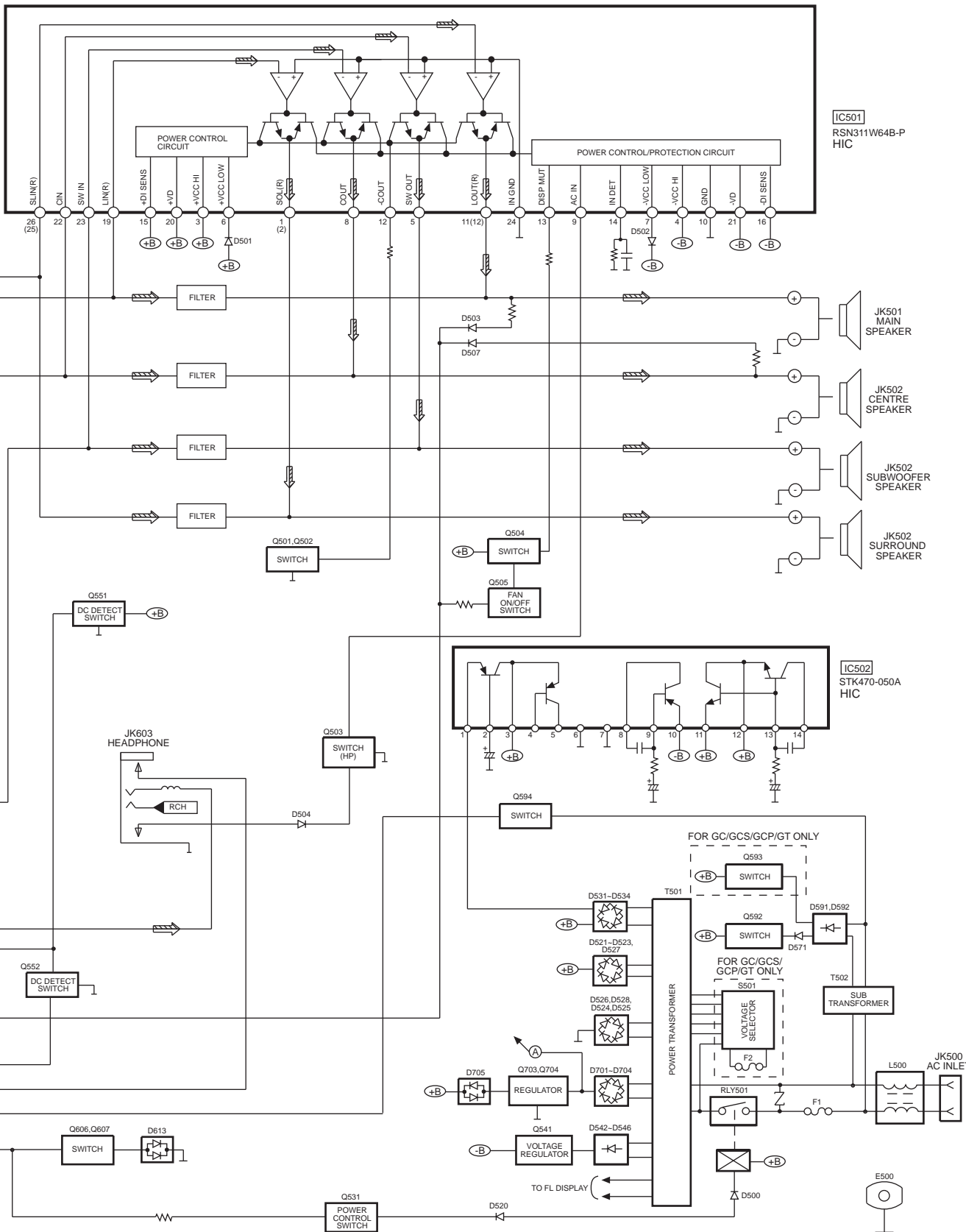
D631-D636  
(WAKE, 1-5)

**DC DET**

**MIC SW**

**SYNC**

**PCONT**



IC501  
RSN311W64B-P  
HIC

IC502  
STK470-050A  
HIC

SIGNAL LINES

- MAIN SIGNAL LINE
- CD/DVD AUDIO SIGNAL LINE
- DVD VIDEO SIGNAL LINE
- DVD AUDIO/VIDEO SIGNAL LINE

( ) indicates Right Channel Pin No.